

SLIM LINE FREEZER

SOFSL-484 FE

Details

- Grade 304 stainless steel interior and exterior
- Copeland touch screen thermostat
- Auto-defrosting mode
- Ventilated cooling system
- Removable door gasket
- Adjustable shelves
- Fits 1 x 1/1 GN container on each shelf (GN excluded)
- 3 PVC-coated grid shelves and 3 shelf bracket sets included
- Heavy-duty caster wheels with brakes



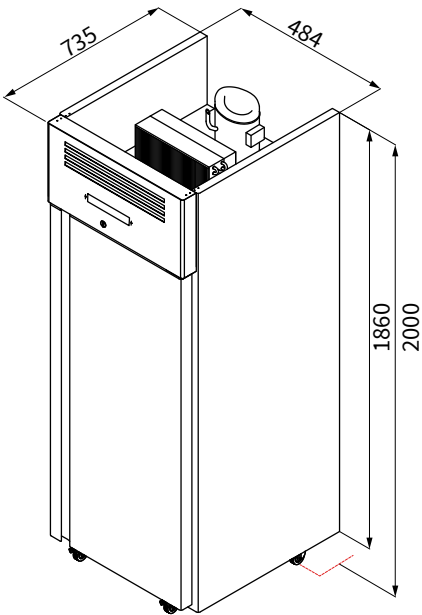
Options

- Additional shelves and shelf brackets
- Caster wheels can be changed into legs

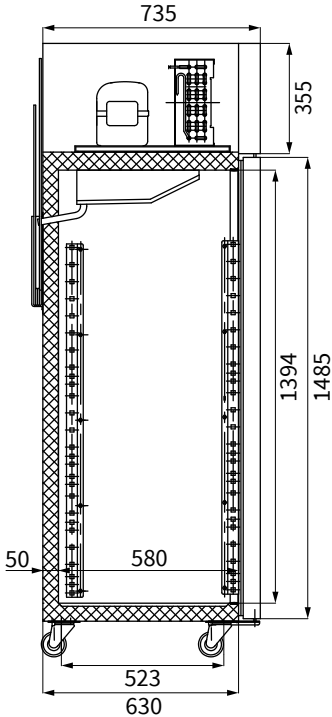
Specifications

Model	SOFSL-484 FE
Exterior Dimensions WxDxH (mm)	484x735x2000
Capacity in Litres	350
Temperature Range (°C)	-18~-22
Power (W)	440
Voltage Supply	220~240V 1PH
Frequency (Hz)	50 or 60
Cooling System	Ventilated
Current (A)	3
Insulation (mm)	60
Environmental Temperature (°C)	32
Mode of Refrigeration	Built-in
Refrigerant Type	R290
Refrigerant Amount (g)	100
Packing Dimensions WxDxH (mm)	515x765x2070
Net Weight (kg)	110
Packing Weight (kg)	123
Plug	British Plug (Included)
Water connection	No
Drainage Connection	No

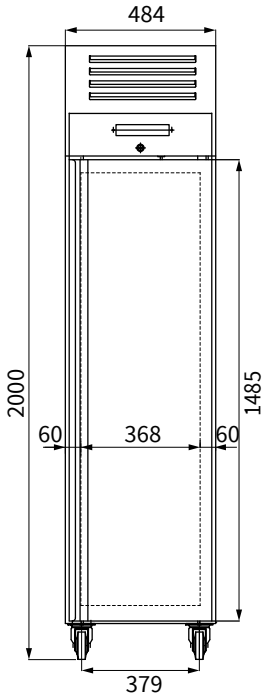
SHOP DRAWING



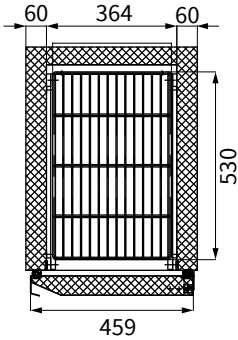
ISOMETRIC



SIDE VIEW



FRONT VIEW



TOP VIEW

Sofia Ref. LLC



Sales@sofiaref.com