

TWO DOOR BAKERY UNDERCOUNTER FREEZER

SOFUC-144 FE BK

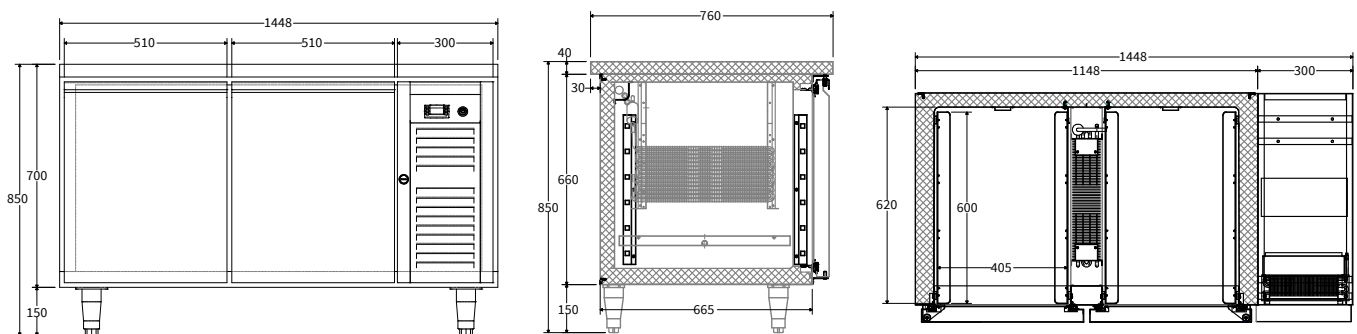


Details

- Grade 304 stainless steel interior and exterior
- Digital temperature control and display
- Radius internal corners for easy cleaning
- Removable door gasket
- 6 shelf brackets per door included (fits 600x400 baking trays)
- Adjustable stainless-steel legs; Total height range: 850mm-870mm

Options

- Caster wheels



Specifications

Model	Exterior Dimensions WxDxH (mm)	Capacity in Litres	Power (W)	Voltage Supply	Frequency (Hz)	Temperature Range (°C)	Environmental Temperature (°C)	Refrigerant	Mode of Refrigeration
SOFUC-144 FE BK	1448x760x850	360	480	220~240V 1PH	50	-18~-20	43	R290	Built-in

Sofia Ref. LLC



Sales@sofiaref.com