

# FOUR DOOR UPRIGHT FREEZER

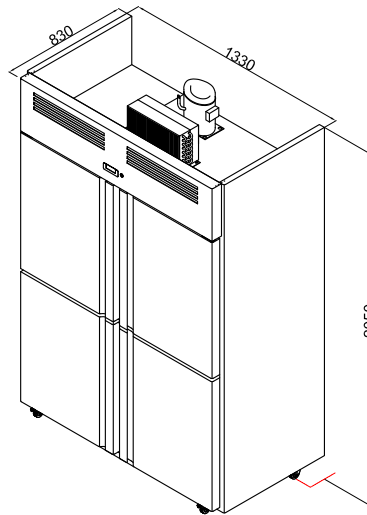
## COREUP-1200 FE

### Details

- Grade 304 stainless steel interior and exterior
- Ventilated cooling system
- Removable gasket
- Free-welding process
- Heavy duty brake and swivel castors
- 6 PVC coated grid shelves included
- Integrated shelf guide
- Fits 1 x 2/1 GN container on each shelf (GN excluded)

### Options

- Additional shelves



### Specifications

Model	Exterior Dimensions WxDxH (mm)	Capacity in Litres	Power (W)	Voltage Supply	Frequency (Hz)	Temperature Range (°C)	Refrigerant	Mode of Refrigeration
COREUP-1200 FE	1330x830x2050	1200	750	220~240V   1PH	50	-18~-20	R290	Monoblock

Sofia Ref. LLC



Sales@sofiaref.com