

# TWO DOOR UNDERCOUNTER FREEZER

## COREUC-125 FE



COREUC-D2  
2 drawer set



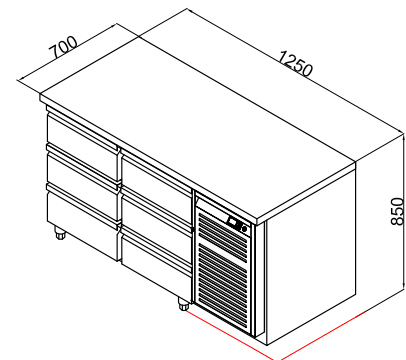
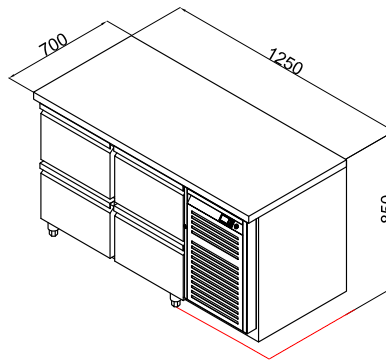
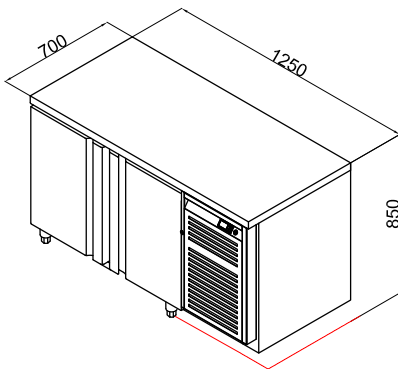
COREUC-D3  
3 drawer set

### Details

- Grade 304 stainless steel interior and exterior
- Ventilated cooling system
- Removable gasket
- Free-welding process
- 2 PVC coated grid shelves included
- Fits 1 x 1/1 GN container on each shelf (GN excluded)

### Options

- Doors can be replaced with drawers
- Caster wheels
- Additional shelves and brackets



### Specifications

Model	Exterior Dimensions WxDxH (mm)	Capacity in Litres	Power (W)	Voltage Supply	Frequency (Hz)	Temperature Range (°C)	Refrigerant	Mode of Refrigeration
COREUC-125 FE	1250x700x850	280	410	220~240V   1PH	50	-18~-20	R290	Monoblock

Sofia Ref. LLC



Sales@sofiaref.com