

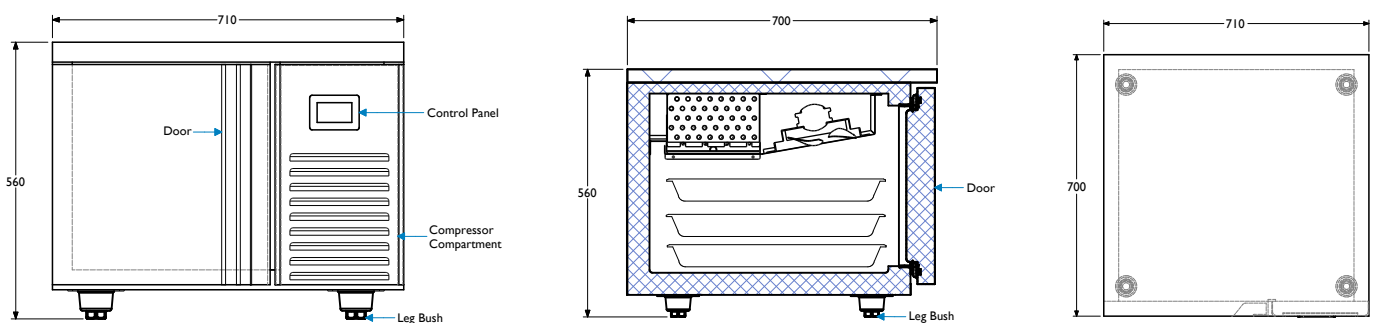
BLAST CHILLER-FREEZER-3 TRAYS

SOFBCF-3



Details

- Grade 304 stainless steel interior and exterior
- Forced air cooling system
- 70 mm insulation thickness
- CFC free refrigerant R404A
- EVCO digital controller
- Built-in shelf brackets
- Auto defrosting system
- Professional blast freezer thermostat, with HACCP functions
- Stainless steel tray brackets for 1/1 GN pan or 60x40 cm baking trays
- Removable door gasket
- Blast Chilling: Max 1.5 hours from +90°C to +3°C
- Blast Freezing: Max 4.0 hours from +90°C to -18°C



Specifications

Model	Exterior Dimensions WxDxH (mm)	Capacity in Litres	Power (W)	Voltage Supply	Frequency (Hz)	Temperature Range (°C)	Enviromental Temperature (°C)	Mode of Refrigeration
SOFBCF-3	710x700x560	56L / 3 trays	550	220~240V - 1PH	50 or 60	-35~+3	32	Ventilated

Sofia Ref. LLC



Sales@sofiaref.com