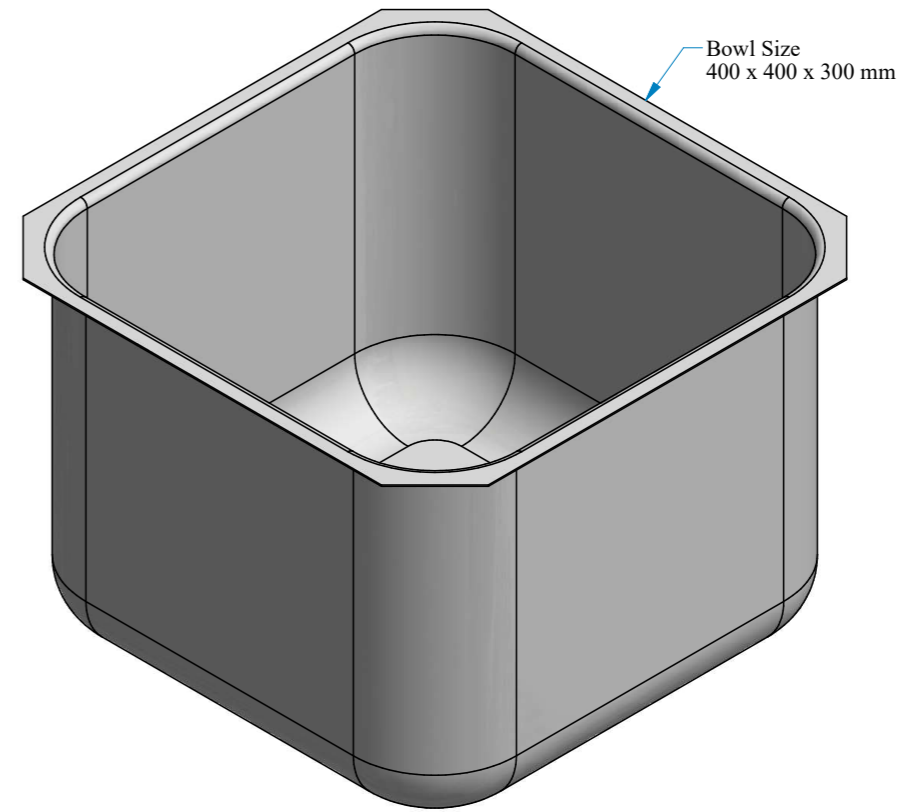
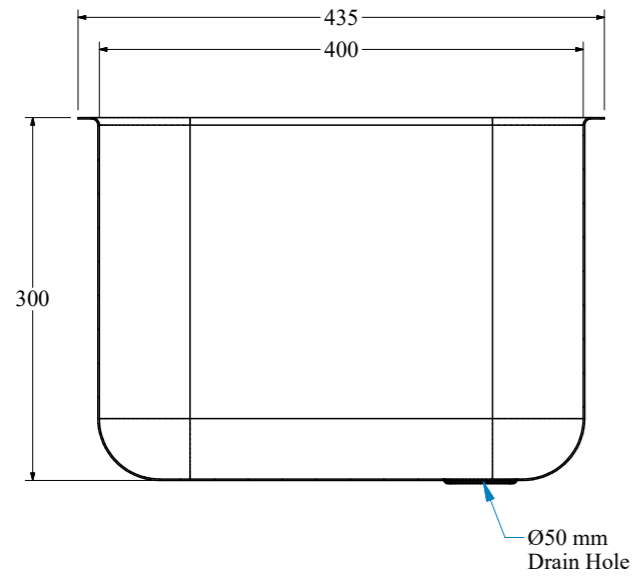


② **TOP VIEW**



① **ISOMETRIC VIEW**



③ **SECTION VIEW**

General Notes

00	ISSUED FOR APPROVAL	09-11-2022
REF:	Description	Date

Project Name and Address

Kitchen Equipment Contractor
SOFIA صوفيا للتبريد Refrigeration
 P.O BOX 39526, 1701, 17th Floor,
 City Tower 2, SHEIKH ZAYED ROAD,
 DUBAI, UAE
 TEL # 04-2684999
 FAX # 04-2683684
 Email : www.Sofiaref.com

Drawing Title
 Shop Drawing
 Drop In Sink

Drawn By : AYAZ ADIL

Date: 09-11-2022	00 Revision
------------------	----------------

Project By:	Scale:
-------------	--------

Drawing Ref:

TABLE		
Item No.	QTY	Description
		Stainless Steel Drop In Sink.
		Dimension (W*D*H) mm
		400*400*300