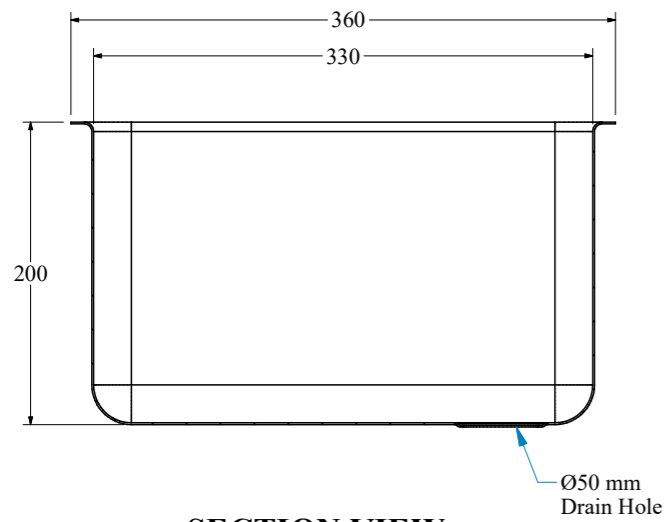
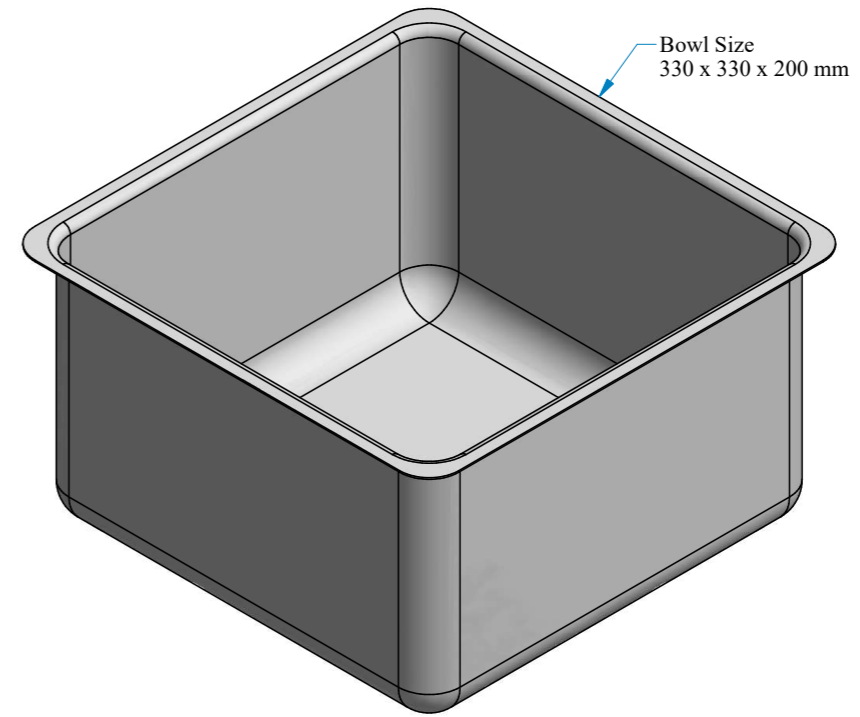


② TOP VIEW



③ SECTION VIEW



① ISOMETRIC VIEW

General Notes

00	ISSUED FOR APPROVAL	09-11-2022
REF:	Description	Date

Project Name and Address

Kitchen Equipment Contractor

**SOFIA** صوفيا للتبريد  
Refrigeration

P.O BOX 39526, 1701, 17th Floor,  
City Tower 2, SHEIKH ZAYED ROAD,  
DUBAI, UAE  
TEL # 04-2684999  
FAX # 04-2683684  
Email : www.Sofiaref.com

Drawing Title

Shop Drawing

Drop In Sink

Drawn By : AYAZ ADIL

Date: 09-11-2022

00  
Revision

Project By:

Scale:

Drawing Ref:

TABLE		
Item No.	QTY	Description
		Stainless Steel Drop In Sink.
		Dimension (W*D*H) mm
		330*330*200