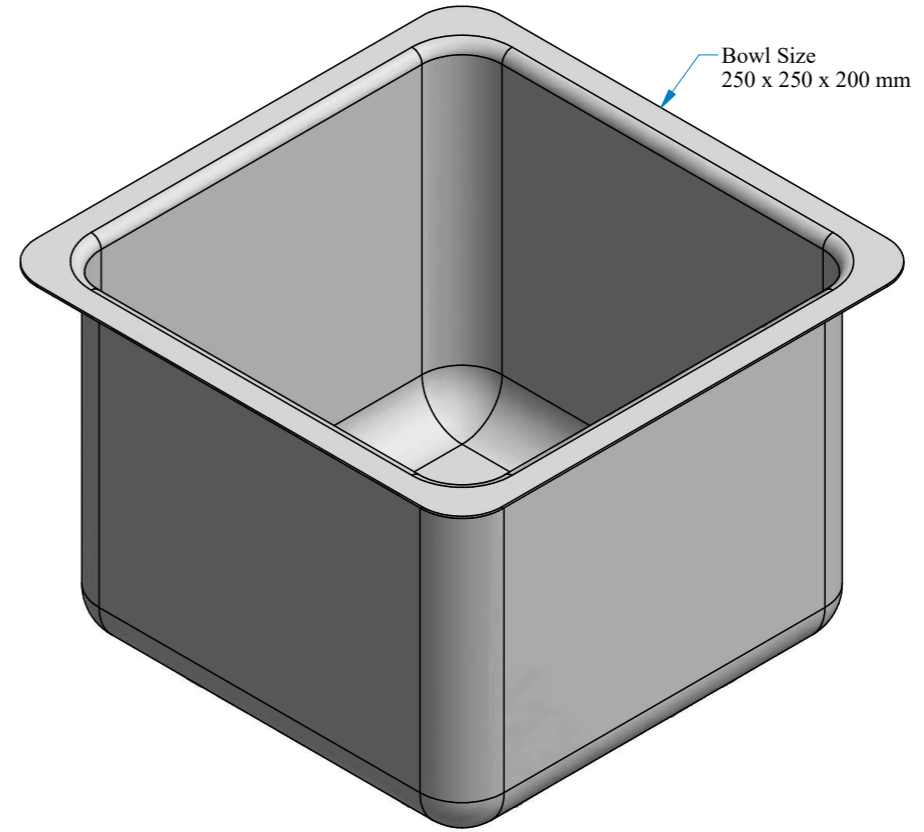
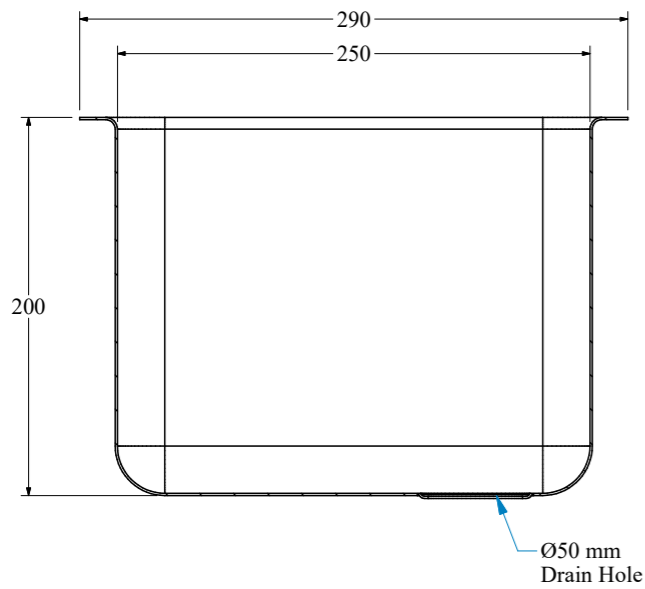


② TOP VIEW



① ISOMETRIC VIEW



③ SECTION VIEW

General Notes

00	ISSUED FOR APPROVAL	09-11-2022
REF:	Description	Date

Project Name and Address

Kitchen Equipment Contractor

SOFIA صوفيا للتبريد
Refrigeration

P.O BOX 39526, 1701, 17th Floor,
City Tower 2, SHEIKH ZAYED ROAD,
DUBAI, UAE
TEL # 04-2684999
FAX # 04-2683684
Email : www.Sofiaref.com

Drawing Title

Shop Drawing

Drop In Sink

Drawn By : AYAZ ADIL

Date: 09-11-2022	00 Revision
------------------	----------------

Project By:	Scale:
-------------	--------

Drawing Ref:

TABLE		
Item No.	QTY	Description
		Stainless Steel Drop In Sink.
		Dimension (W*D*H) mm
		250*250*200