

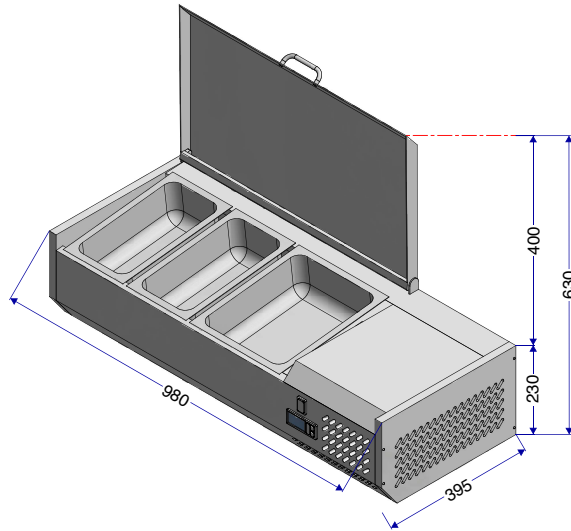
REFRIGERATED WELL

SOFRW-98



Details

- 304 Grade Stainless Steel Construction
- Unique heat insulation design, save energy
- Fits 2 x 1/3 GN containers and 1 x 1/2 GN container (GN not included)
- Includes 2 pcs of stainless-steel divider



Specifications

Model	Exterior Dimensions WxDxH (mm)	Capacity (GN-Pans)	Frequency (Hz)	Power (W)	Temperature Range (°C)	Environmental Temperature (°C)	Mode of Refrigeration
SOFRW-98	980x395x230+400	2x1/3GN and 1x1/2GN	50/60	170	+2~+6	32	Static

Sofia Ref. LLC

Sheikh Zayed Rd. Dubai, U.A.E - Sajaah Industrial Area Sharjah, U.A.E - Tashkeel Tower Riyadh, K.S.A



Sales@sofiaref.com