

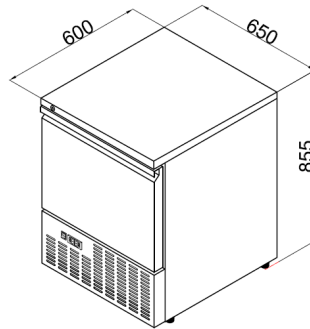
UNDER-COUNTER ONE DOOR FREEZER

SOFUC-65 FE



Details

- Grade 304 stainless steel interior and exterior
- Digital temperature control and display
- Radius internal corners for easy cleaning
- Removable door gasket
- Rails included to fit I/I GN container (GN excluded)
- 1 PVC coated grid shelf included
- 1 shelf brackets set included



Specifications

Model	Exterior Dimensions WxDxH (mm)	Capacity in Litres	Power (W)	Voltage Supply	Frequency (Hz)	Temperature Range (°C)	Environmental Temperature (°C)	Mode of Refrigeration
SOFUC-65 FE	650x600x855	218	390	220~240V 1PH	50 or 60	-18~-20	32	Ventilated

Sofia Ref. LLC

Sheikh Zayed Rd. Dubai, U.A.E - Sajaah Industrial Area Sharjah, U.A.E - Tashkeel Tower Riyadh, K.S.A



Sales@sofiaref.com