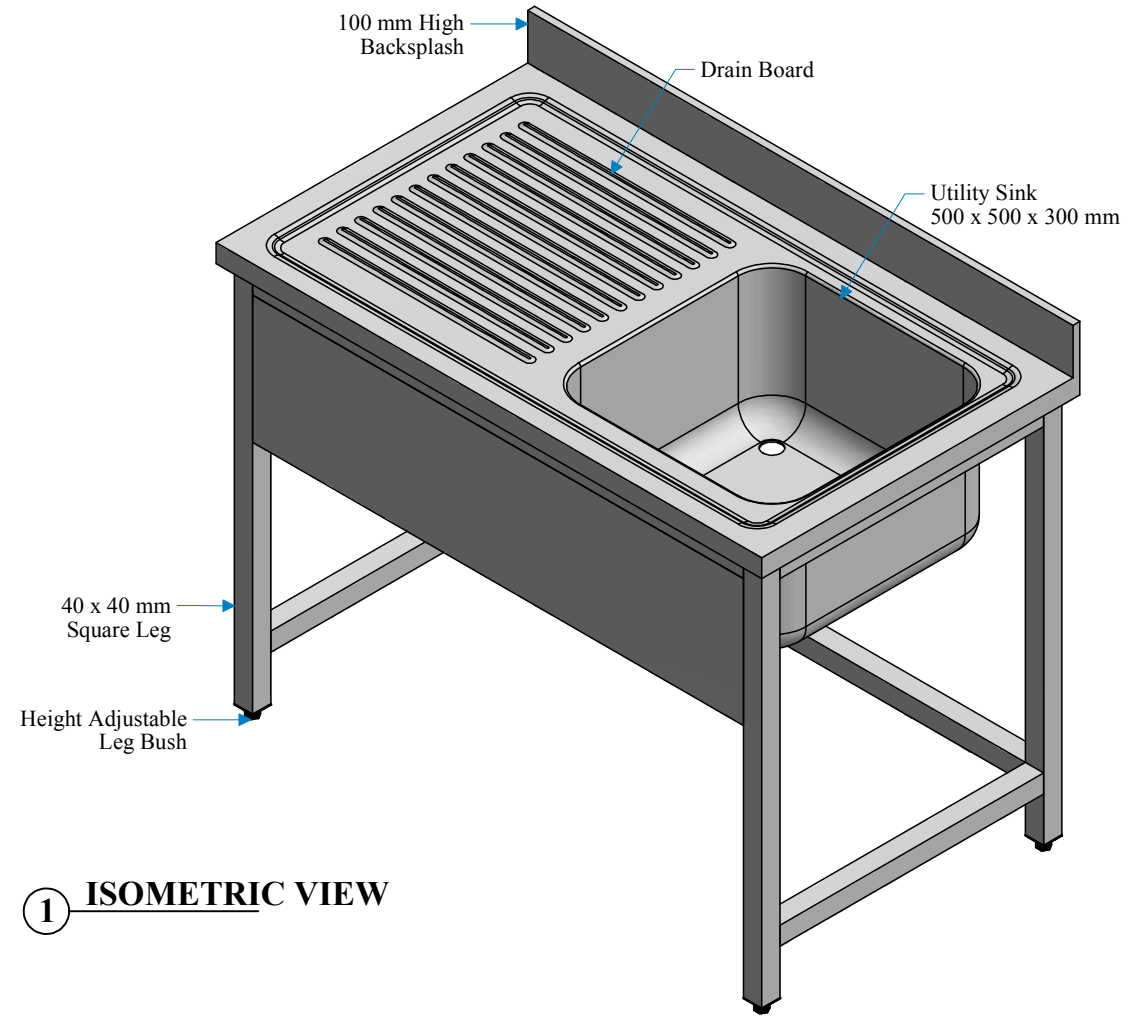
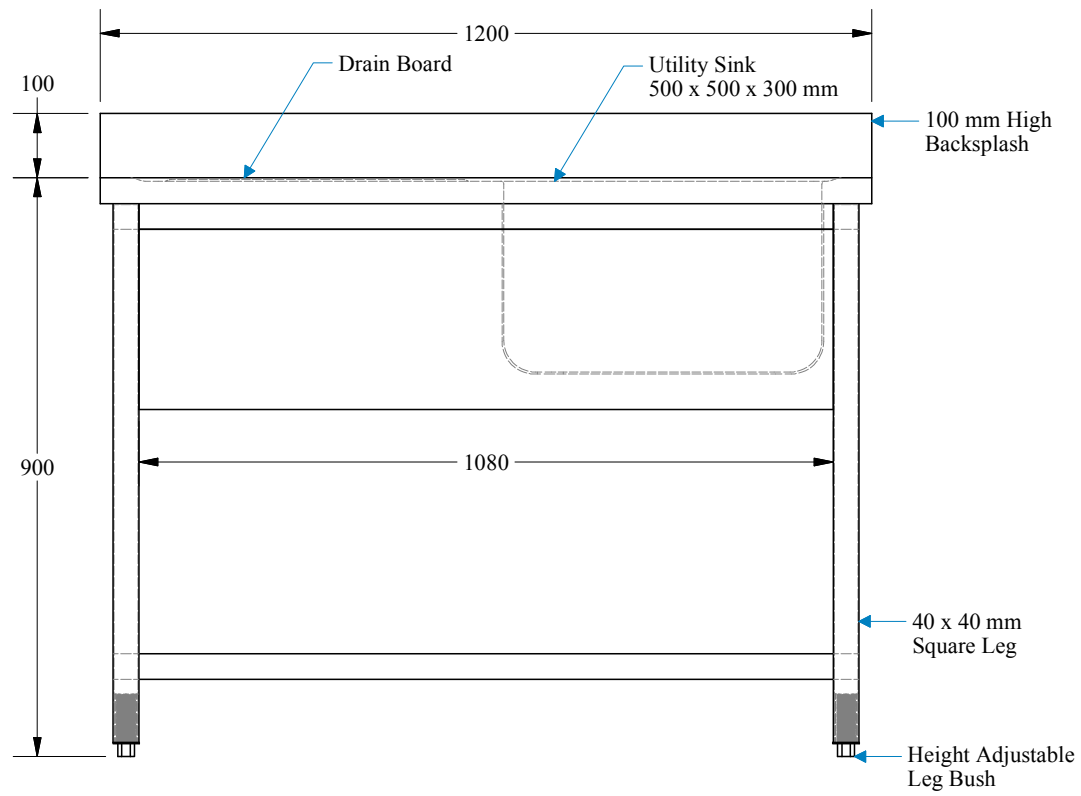


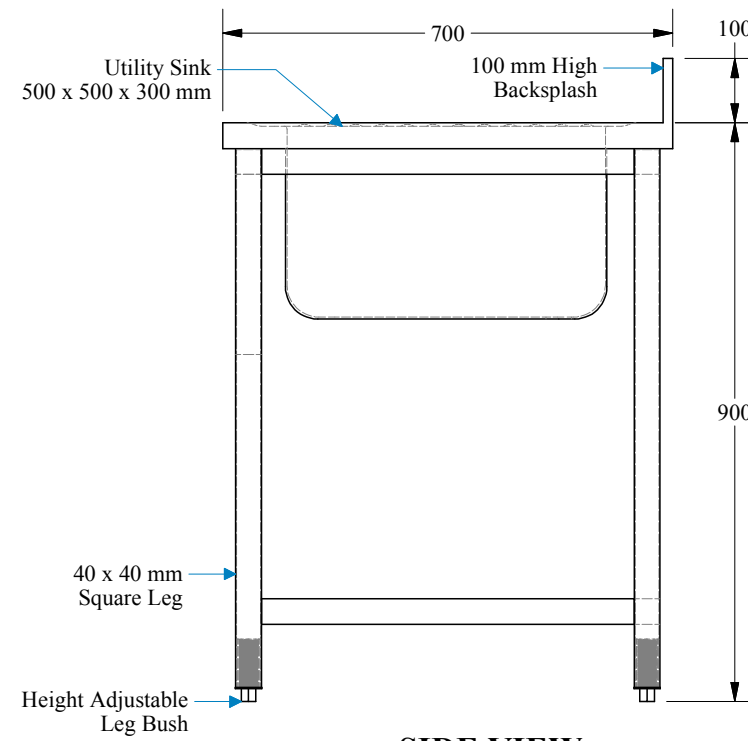
2 TOP VIEW



1 ISOMETRIC VIEW



3 FRONT VIEW



4 SIDE VIEW

| TABLE    |     |  | Dimension (W*D*H) mm |
|----------|-----|--|----------------------|
| Item No. | QTY | Description  |                      |
|          |     | Stainless Steel Single Bowl Sink With Drain Board. | 1200*700*900         |

Kitchen Equipment Contractor  
**SOFIA** صوفيا للتبريد Refrigeration  
 P.O BOX 39526, 1701, 17th Floor,  
 City Tower 2, SHEIKH ZAYED ROAD,  
 DUBAI, UAE  
 TEL # 04-2684999  
 FAX # 04-2683684  
 Email : www.Sofiaref.com

Drawing Title  
 Shop Drawing