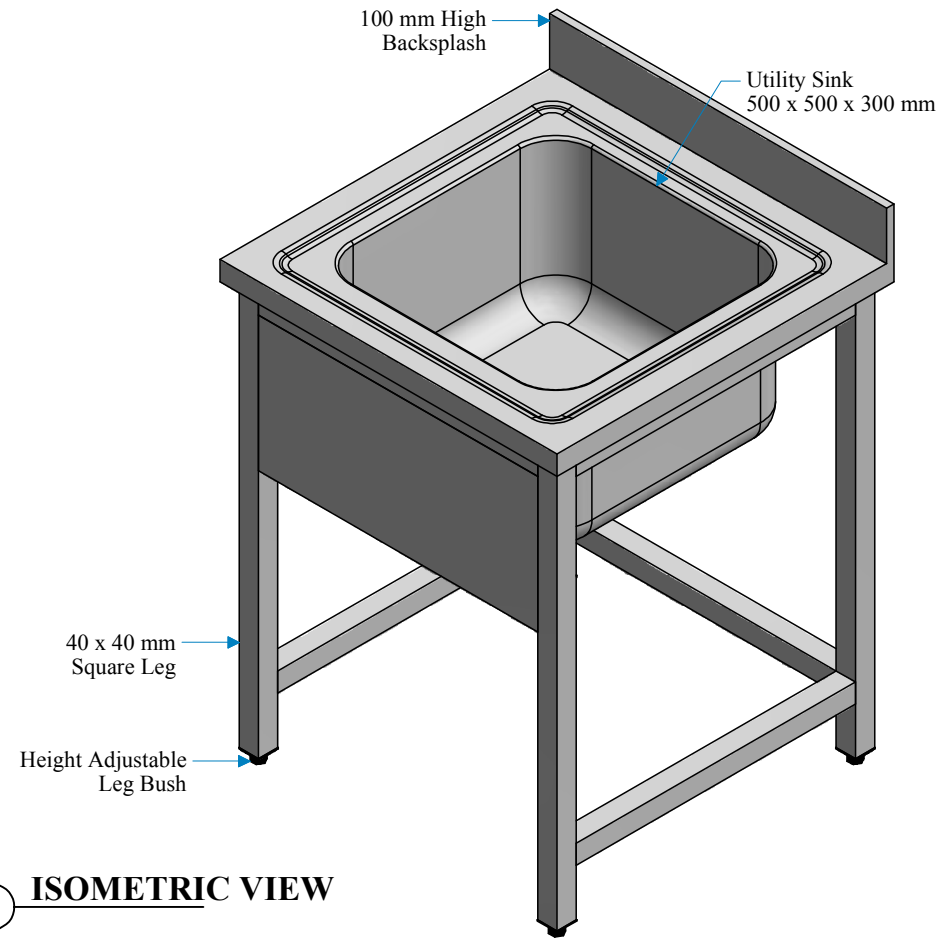
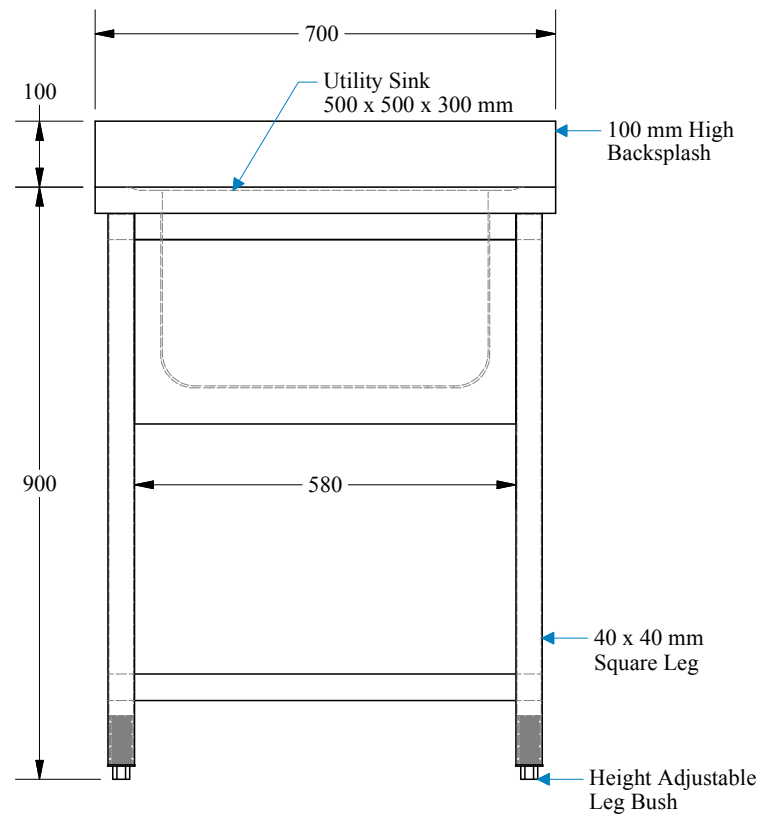


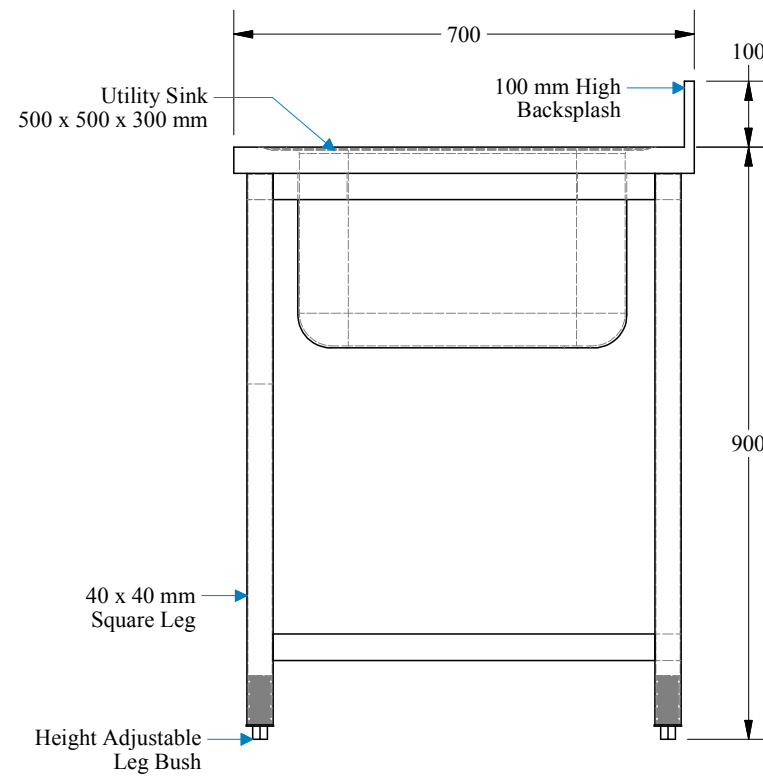
② TOP VIEW



① ISOMETRIC VIEW



③ FRONT VIEW



④ SIDE VIEW

Kitchen Equipment Contractor
SOFIA صوفيا للتبريد Refrigeration
 P.O BOX 39526, 1701, 17th Floor,
 City Tower 2, SHEIKH ZAYED ROAD,
 DUBAI, UAE
 TEL # 04-2684999
 FAX # 04-2683684
 Email : www.Sofiaref.com

Drawing Title
 Shop Drawing

TABLE		
Item No.	QTY	Description
		Stainless Steel Single Bowl Sink.
		Dimension (W*D*H) mm
		700*700*900