

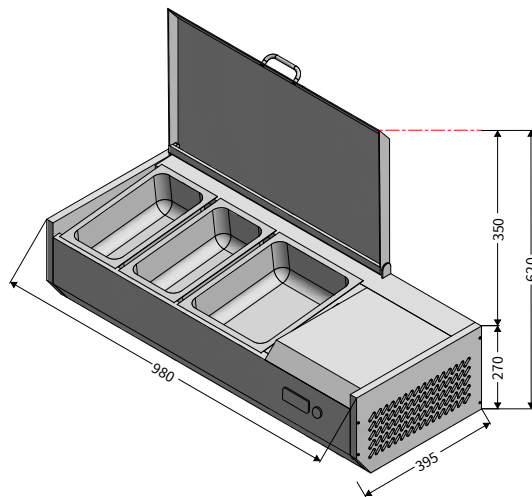
REFRIGERATED WELL

SOFRW-98



Details

- Grade 304 stainless steel interior and exterior
- Fits 2 x 1/3 GN containers and 1 x 1/2 GN container (GN not included)
- Energy-saving unique heat insulation design
- Includes 2 stainless steel divider



Specifications

Model	Exterior Dimensions WxDxH (mm)	Capacity (GN Pans)	Power (W)	Voltage Supply	Frequency (Hz)	Temperature Range (°C)	Environmental Temperature (°C)	Mode of Refrigeration
SOFRW-98	980x395x270+350	2x1/3GN and 1x1/2GN	170	220-240V 1PH	50/60	+2~+6	32	Built-in