

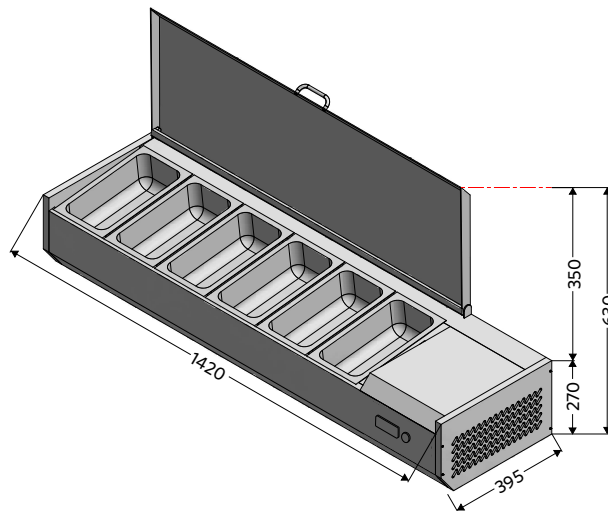
# REFRIGERATED WELL

## SOFRW-142



### Details

- Grade 304 stainless steel interior and exterior
- Fits 6 x 1/3 GN containers (GN not included)
- Energy-saving unique heat insulation design
- Includes 5 stainless steel divider



### Specifications

Model	Exterior Dimensions WxDxH (mm)	Capacity (GN Pans)	Power (W)	Voltage Supply	Frequency (Hz)	Temperature Range (°C)	Environmental Temperature (°C)	Mode of Refrigeration
SOFRW-142	1420x395x270+350	6x1/3GN	170	220-240V   1PH	50/60	+2~+6	32	Built-in