

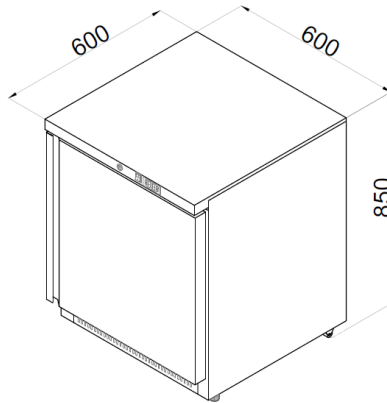
# UNDER-COUNTER ONE DOOR FREEZER

## SOFUC- 60 FE



### Details

- Grade 304 stainless steel interior and exterior
- Digital temperature control and display
- Radius internal corners for easy cleaning
- Removable door gasket
- 2 PVC coated grid shelves included
- 2 shelf brackets set included



### Specifications

Model	Exterior Dimensions WxDxH (mm)	Capacity in Litres	Power (W)	Voltage Supply	Frequency (Hz)	Temperature Range (°C)	Environmental Temperature (°C)	Mode of Refrigeration
SOFUC-60 FE	600x600x850	130	180	220~240V   1PH	50 or 60	-18~-20	32	Built-in

Sofia Ref. LLC



Sales@sofiaref.com