

UNDERCOUNTER THREE DOOR FREEZER

SOFUC-190 FE

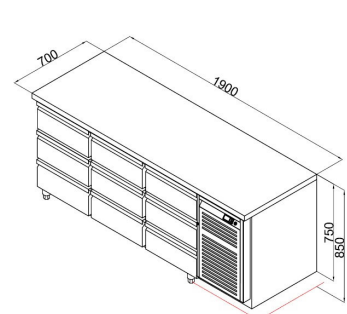
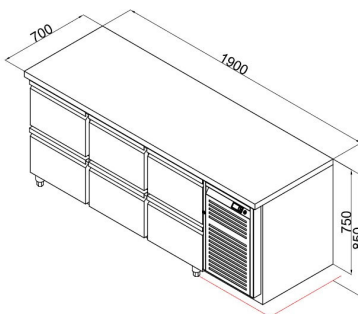
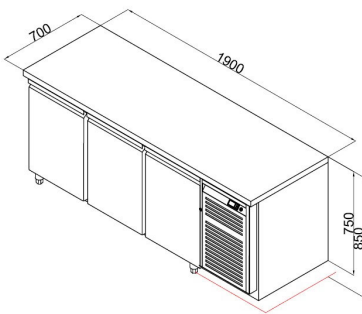


Details

- Grade 304 stainless steel interior and exterior
- Digital temperature control and display
- Radius internal corners for easy cleaning
- Removable door gasket
- 3 PVC coated grid shelves included
- 3 shelf brackets set included
- Adjustable stainless-steel legs; Total height range: 850mm-870mm

Options

- Additional shelves and shelf brackets
- Doors can be replaced with drawers
- Include Caster wheels



Specifications

Model	Exterior Dimensions WxDxH (mm)	Capacity in Litres	Power (W)	Voltage Supply	Frequency (Hz)	Temperature Range (°C)	Environmental Temperature (°C)	Mode of Refrigeration
SOFUC-190 FE	1900x700x850	540	590	220~240V 1PH	50 or 60	-18~-20	43	Built-in

Sofia Ref. LLC



Sales@sofiaref.com