

# UNDERCOUNTER TWO DOOR FREEZER

## SOFUC-142 FE

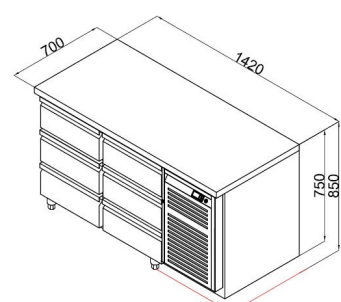
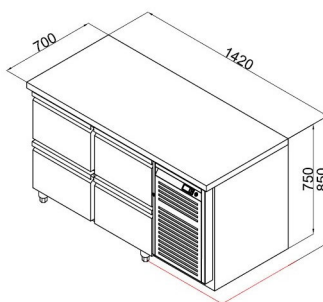
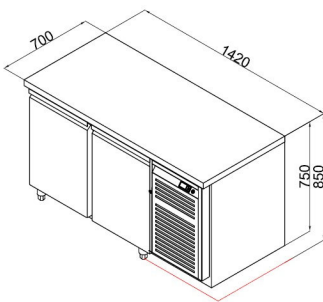


### Details

- Grade 304 stainless steel interior and exterior
- Digital temperature control and display
- Radius internal corners for easy cleaning
- Removable door gasket
- 2 PVC coated grid shelves included
- 2 shelf brackets set included
- Adjustable stainless-steel legs; Total height range: 850mm-870mm

### Options

- Additional shelves and shelf brackets
- Doors can be replaced with drawers
- Include Caster wheels



### Specifications

Model	Exterior Dimensions WxDxH (mm)	Capacity in Litres	Power (W)	Voltage Supply	Frequency (Hz)	Temperature Range (°C)	Environmental Temperature (°C)	Mode of Refrigeration
SOFUC-142 FE	1420x700x850	360	495	220~240V I I PH	50 or 60	-18~-20	43	Built-in

Sofia Ref. LLC



Sales@sofiaref.com