

TWO DOOR BOTTLE COOLER

SOFBC-2 SS

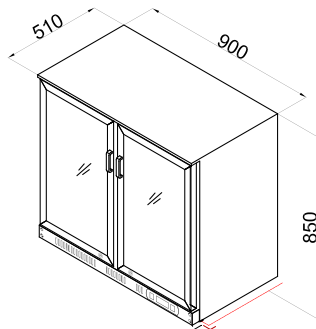


Details

- Grade 304 stainless steel interior and exterior
- Digital temperature control and display
- Removable door gasket
- Lockable glass door
- 2 PVC coated grid shelves included
- 2 shelf brackets set included

Options

- Electrostatic Plating
- Solid Door



Specifications

Model	Exterior Dimensions WxDxH (mm)	Capacity in Litres	Power (W)	Voltage Supply	Frequency (Hz)	Temperature Range (°C)	Environmental Temperature (°C)	Mode of Refrigeration
SOFBC-2 SS	900x510x850	220	260	220~240V 1PH	50/60	+2~+8	32	Built-in

Sofia Ref. LLC



Sales@sofiaref.com