

SINGLE DOOR UPRIGHT FREEZER

SOFUP-585 FE

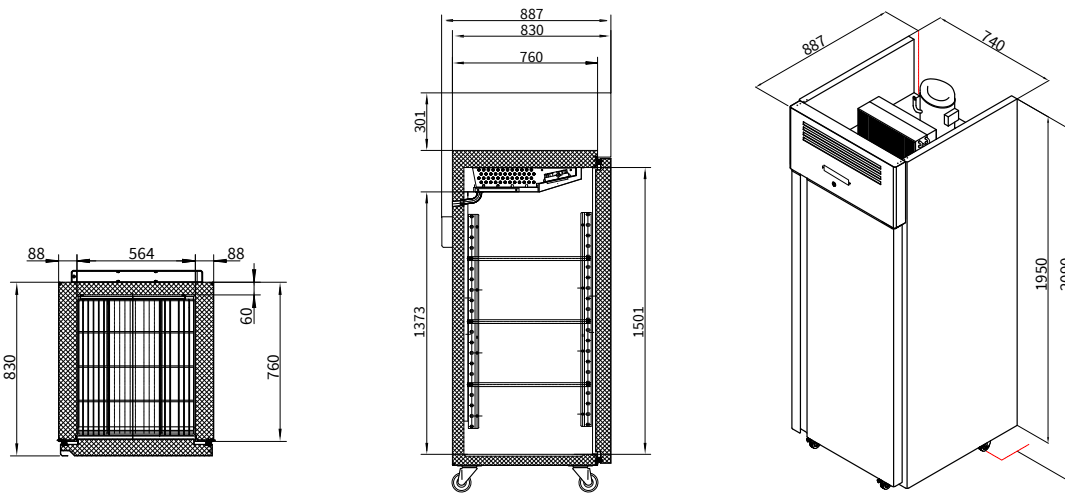
Details

- Grade 304 stainless steel interior and exterior
- Digital temperature control and display
- Radius internal corners for easy cleaning
- Removable door gasket
- Lockable door
- Heavy duty brake and swivel caster wheels
- 3 PVC coated grid shelves included
- 3 shelf brackets included
- Fits 2 x 1/1 GN containers on each shelf (GN excluded)



Options

- Additional shelves and shelf brackets
- Glass door



Specifications

Model	Exterior Dimensions WxDxH (mm)	Capacity in Litres	Power (W)	Voltage Supply	Frequency (Hz)	Temperature Range (°C)	Environmental Temperature (°C)	Refrigerant	Mode of Refrigeration
SOFUP-585 FE	740x887x2090	580	500	220~240V 1PH	50	-18~-22	43	R290	Built-in

Sofia Ref. LLC



Sales@sofiaref.com