

DOUBLE DOOR UPRIGHT CHILLER

SOFUP-1275

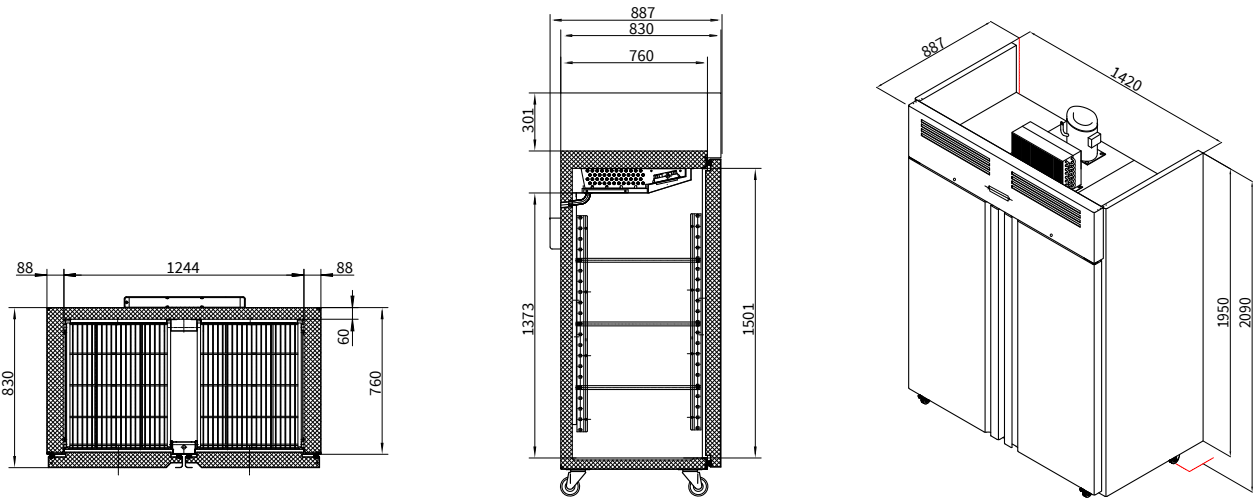
Details

- Grade 304 stainless steel interior and exterior
- Digital temperature control and display
- Radius internal corners for easy cleaning
- Removable door gasket
- Lockable doors
- Heavy duty brake and swivel caster wheels
- 6 PVC coated grid shelves included
- 6 shelf brackets included
- Fits 2 x 1/1 GN containers on each shelf (GN excluded)



Options

- Additional shelves and shelf brackets
- Glass door



Specifications

Model	Exterior Dimensions WxDxH (mm)	Capacity in Litres	Power (W)	Voltage Supply	Frequency (Hz)	Temperature Range (°C)	Environmental Temperature (°C)	Refrigerant	Mode of Refrigeration
SOFUP-1275	1420x887x2090	1270	700	220~240V I 1PH	50/60	-2~+8	43	R134a	Built-in

Sofia Ref. LLC



Sales@sofiaref.com