

UNDERCOUNTER THREE DOOR FREEZER

SOFUC-190 FE

Details

- Grade 304 stainless steel interior and exterior
- Copeland touch screen thermostat
- Auto-defrosting mode
- Removable door gasket
- Fits 1 x 1/1 GN container on each shelf (GN excluded)
- 3 epoxy-coated grid shelves and 3 shelf bracket sets included
- Adjustable stainless steel legs; Total height range: 850mm-870mm



Options

- Each door can be replaced with a set of 2 or 3 drawers
- Additional shelves and shelf brackets
- Glass door
- Electrostatic plating
- Caster wheels
- Marble top



Specifications

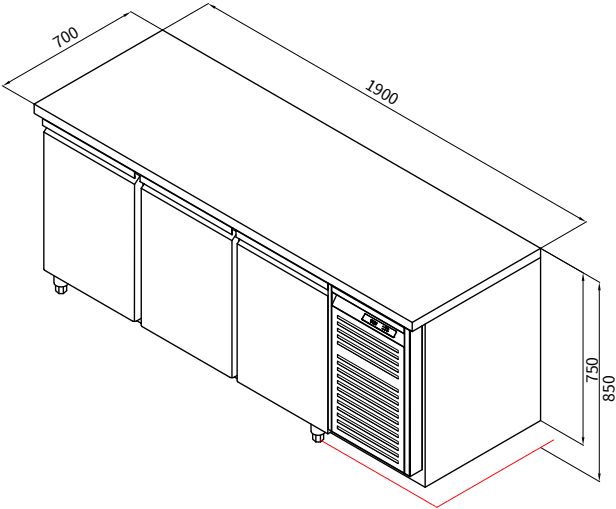
Model	SOFUC-190 FE
Exterior Dimensions WxDxH (mm)	1900x700x850
Capacity in Litres	540
Temperature Range (°C)	-18~-20
Power (W)	590
Voltage Supply	220~240V 1PH
Frequency (Hz)	50 or 60
Cooling System	Ventilated
Current (A)	2.63
Insulation (mm)	60
Environmental Temperature (°C)	43
Mode of Refrigeration	Built-in
Refrigerant Type	R134a
Refrigerant Amount (g)	315
Packing Dimensions WxDxH (mm)	1960x840x870
Net Weight (kg)	130
Packing Weight (kg)	145
Plug	British Plug (Included)
Water Connection	No
Drainage Connection	No

Sofia Ref. LLC

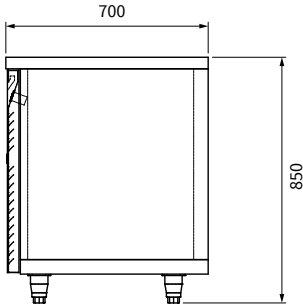


Sales@sofiaref.com

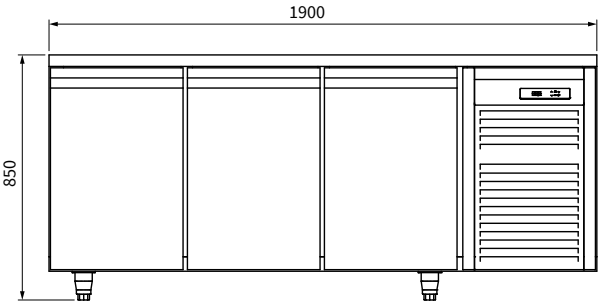
SHOP DRAWING



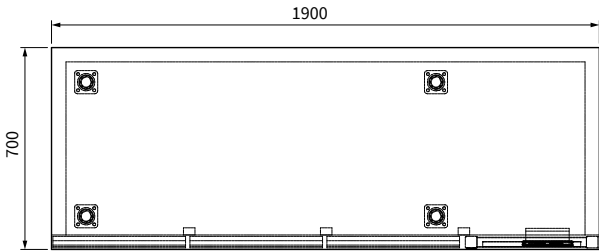
ISOMETRIC



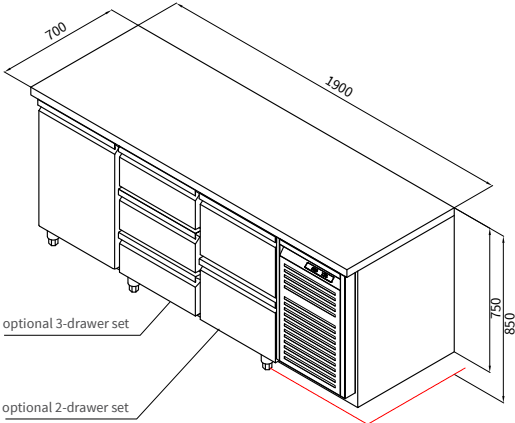
SIDE VIEW



FRONT VIEW



TOP VIEW



Sofia Ref. LLC



Sales@sofiaref.com