

# UNDERCOUNTER TWO DOOR FREEZER

## SOFUC-142 FE

### Details

- Grade 304 stainless steel interior and exterior
- Copeland touch screen thermostat
- Auto-defrosting mode
- Removable door gasket
- Fits 1 x 1/1 GN container on each shelf (GN excluded)
- 2 epoxy-coated grid shelves and 2 shelf bracket sets included
- Adjustable stainless steel legs; Total height range: 850mm-870mm



### Options

- Each door can be replaced with a set of 2 or 3 drawers
- Glass door
- Electrostatic plating
- Additional shelves and shelf brackets
- Caster wheels
- Marble top



### Specifications

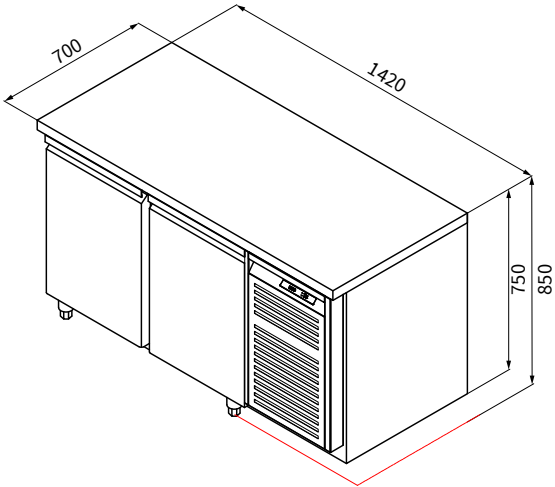
Model	SOFUC-142 FE
Exterior Dimensions WxDxH (mm)	1420x700x850
Capacity in Litres	360
Temperature Range (°C)	-18~-20
Power (W)	495
Voltage Supply	220~240V   1PH
Frequency (Hz)	50/60
Cooling System	Ventilated
Current (A)	2.4
Insulation (mm)	60
Environmental Temperature (°C)	43
Mode of Refrigeration	Built-in
Refrigerant Type	R404A
Refrigerant Amount (g)	300
Packing Dimensions WxDxH (mm)	1480x760x890
Net Weight (kg)	112
Packing Weight (kg)	120
Plug	British Plug (Included)
Water Connection	No
Drainage Connection	No

Sofia Ref. LLC

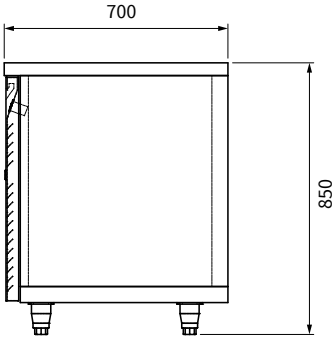


Sales@sofiaref.com

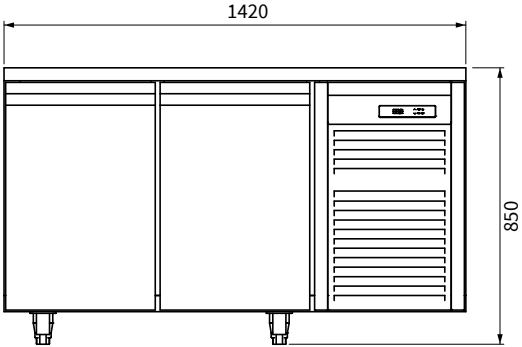
# SHOP DRAWING



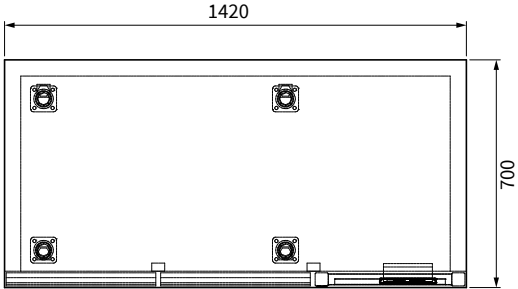
ISOMETRIC



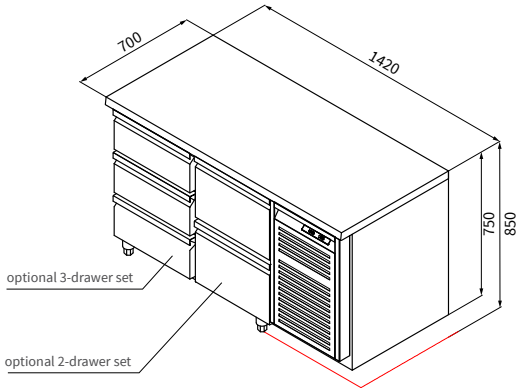
SIDE VIEW



FRONT VIEW



TOP VIEW



Sofia Ref. LLC



Sales@sofiaref.com